

8200 Compressor

Installation, Operation and Service Instructions

8040353
Rev. 102 (7/2002)

The information in this document is believed to be accurate and reliable. However, Helix Technology Corporation, cannot accept any financial or other responsibilities that may result from the use of this information. No warranties are granted or extended by this document.

Helix Technology Corporation reserves the right to change any or all information contained herein without prior written notice. Revisions may be issued at the time of such changes and/or deletions.

Any duplication of this manual or any of its parts without expressed written permission from Helix Technology Corporation is strictly prohibited.

Any correspondence regarding this document should be forwarded to:

Helix Technology Corporation
Mansfield Corporate Center
Nine Hampshire Street
Mansfield, Massachusetts 02048-9171 U.S.A.

Telephone: (508) 337-5000
FAX: (508) 337-5464

The following Helix Technology Corporation trademarks and service marks may appear in this document:

Conductron™	Convectron®	Cryodyne®	Cryogen®
Cryogenerator®	Cryo-Torr®	CTI-Cryogenics®	FastRegen™
GOLDLink®	Granville-Phillips™	GUTS®	Helix Technology.. Your Vacuum Connection SM
Helix®	Micro-Ion®	Mini-Ion™	On-Board®
RetroEase®	RetroFast®	Stabil-1®	Stabil-Ion®
ThinLine™	TurboPlus®	Vacuum Assurance SM	

All other trademarks or registered trademarks are the property of their respective holders.

Table of Contents

Section 1 - Introduction

General	1-1
Installation, Operation and Servicing Instructions	1-1

Section 2 - Inspection

Packaging of the System	2-1
The Compressor	2-1

Section 3 - Installation

Compressor Installation	3-1
Preparing the Compressor Input-Power Cable	3-1
Cooling Water Requirements (Water-Cooled Compressors Only)	3-3
Cooling Water: General Considerations	3-4
Cooling Water: Flow and Pressure Requirements	3-4
Cooling Water: Temperature Rise	3-6
Final Preparation of Compressor	3-7
Connecting the Compressor to the Cold Head	3-7

Section 4 - Maintenance Procedures

Scheduled Maintenance	4-1
Removing the Compressor Adsorber	4-1
Installing the Compressor Adsorber	4-3
Unscheduled Maintenance	4-3
Suggested Unscheduled Maintenance Equipment	4-3
Adding Helium Gas	4-4
Helium Circuit Decontamination	4-5

Appendix A - Customer Support Information

Appendix B - Troubleshooting Procedures

Appendix C - Electrical Schematics for 8200 Compressor

Appendix D - Components in the Electrical Control Module of the 8200 Compressor

Table of Contents (continued)

Appendix E - Flow Diagrams for 8200 Air-Cooled and Water-Cooled Compressors

Figures

Figure 1-1: Air and Water Cooled 8200 Compressor Dimensions	1-2
Figure 1-2: Component Locations	1-3
Figure 3-1: Electrical Terminal Enclosure with Cover in Place	3-2
Figure 3-2: Assembly of Conductors to Terminal Block	3-3
Figure 3-3: 8200 Compressor Cooling Water Flow and Pressure Requirements	3-5
Figure 3-4: 8200 Compressor Water Discharge Temperature Increase (°F) ...	3-6
Figure 3-5: Typical 8200 Compressor Installation	3-9
Figure 4-1: Disconnecting/Connecting the Adsorber Self-Sealing Coupling ..	4-2
Figure 4-2: Removing the Adsorber from the Compressor	4-2
Figure C-1: 8200 Compressor Electrical Schematic P/N 8032563P001 Rev. 100	C-2
Figure C-2: 8200 Compressor Electrical Schematic P/N 8032564P001 Rev. D	C-3
Figure D-1: Components in the Electrical Control Chassis of the 8200 Compressor Three-Phase Scott-T Configuration	D-1
Figure D-2: Components in the Electrical Control Chassis of the 8200 Compressor - Single-Phase RC Configuration	D-2
Figure E-1: Flow Diagram of the 8200 (Air-Cooled) Compressor	E-2
Figure E-2: Flow Diagram of the 8200 (Water-Cooled) Compressor	E-3

Tables

Table 1-1: Power Requirements (Steady-State Conditions)	1-4
Table 1-2: General Specifications	1-4
Table 3-1: Voltage Specifications	3-7
Table A-1: CTI-CRYOGENICS Product Customer Support Centers	A-2
Table B-1: Compressor Troubleshooting Procedures	B-1

Section 1 - Introduction

General

The manual provides instructions for installing, operating and servicing the 8200 Compressor. This compressor is available in two versions: air-cooled, P/N 8032549G001/G002 and water cooled, P/N803255G001/G002.

If you are installing or operating a Cryo-Torr or On-Board System you should also have available the appropriate cryopump or refrigerator.

When you purchase a system, you will receive two manuals necessary for system installation, plus a loose- leaf binder with index tab separators, allowing you to compile a complete indexed system notebook.

Installation, Operation and Servicing Instructions

Installation, Operation and Servicing Instructions for your 8200 Compressor provide easily accessible information. All personnel with installation, operation, and servicing responsibilities should become familiar with the contents of these instructions to ensure high quality, safe, reliable performance.

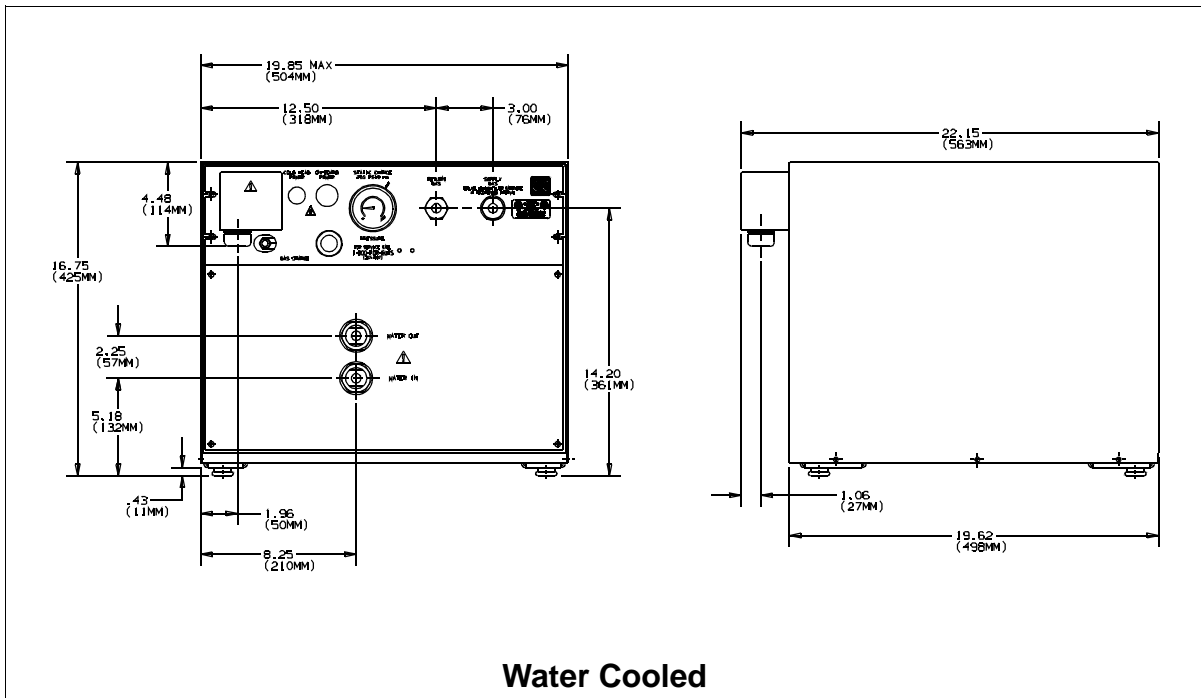
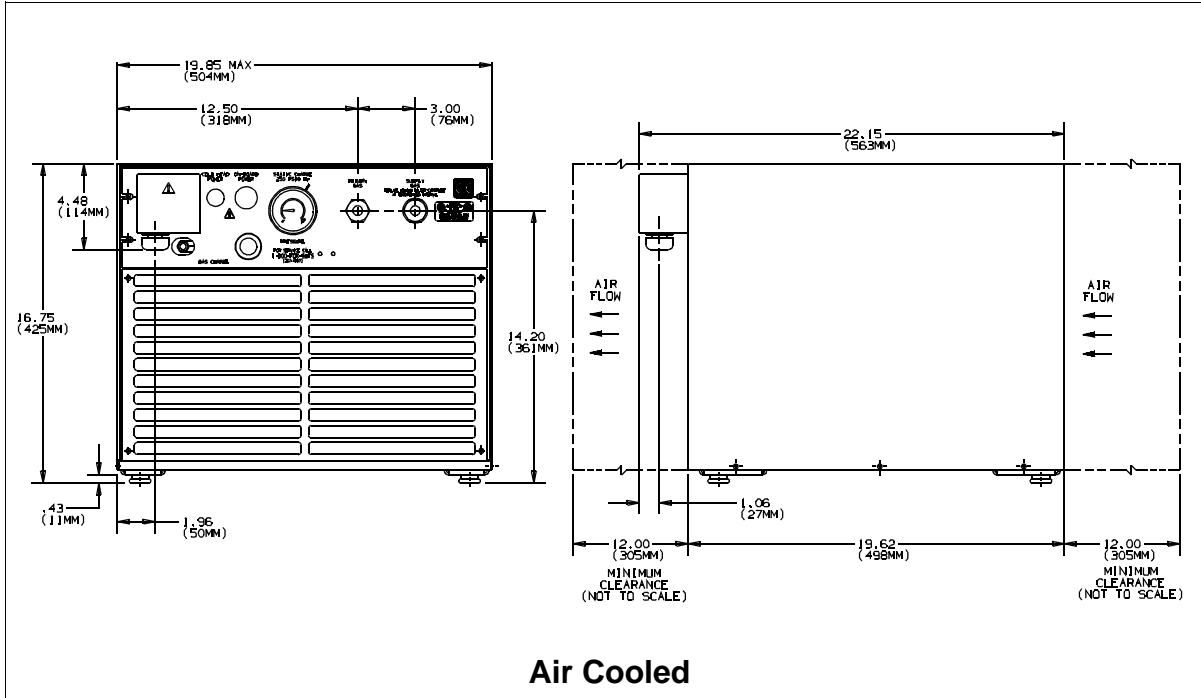
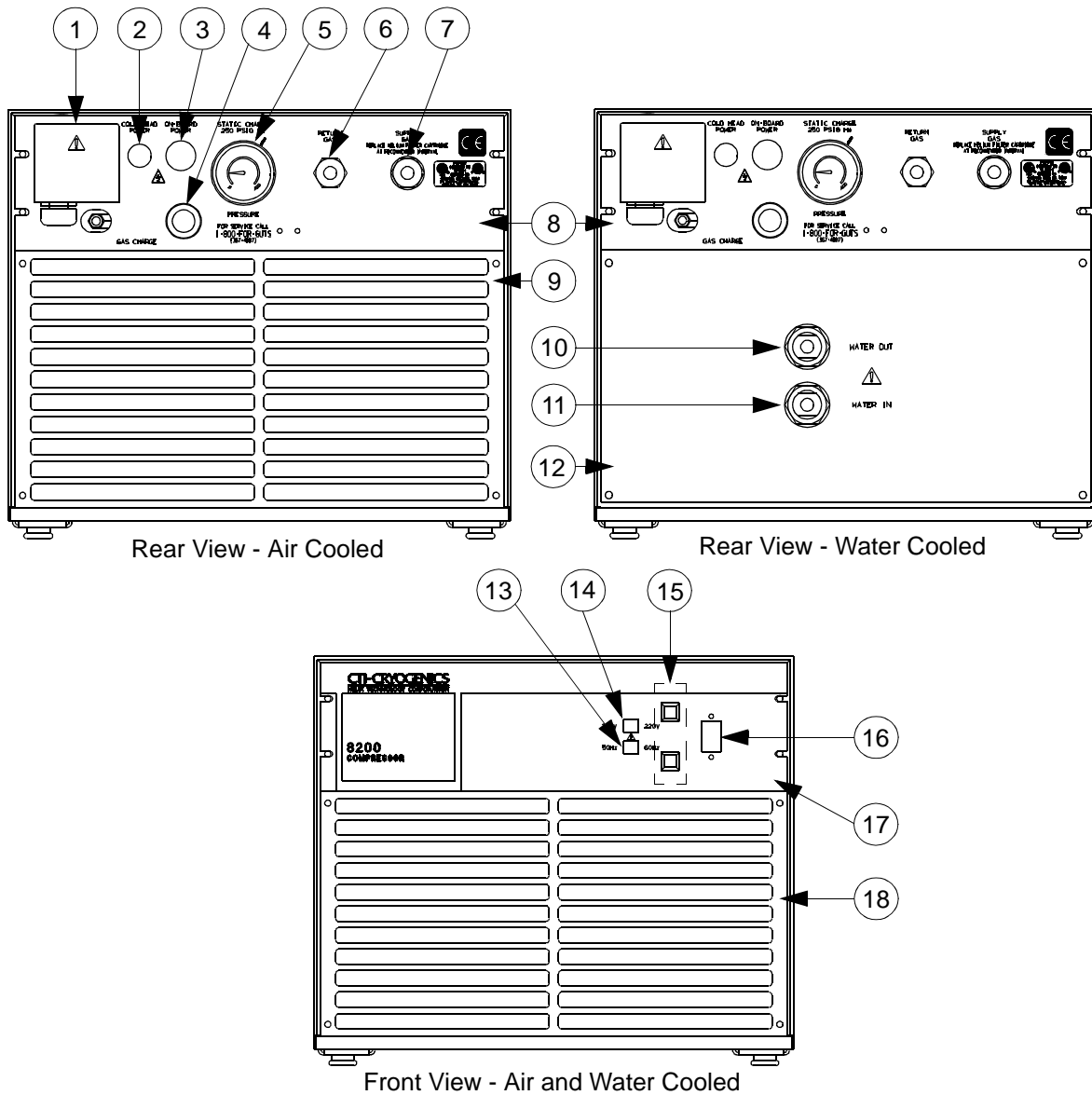


Figure 1-1: Air and Water Cooled 8200 Compressor Dimensions



- LEGEND**
- | | |
|--|---|
| 1. Compressor Input Power Block | 10. Cooling Water Output |
| 2. Cold Head Power Receptacle | 11. Cooling Water Input |
| 3. On-Board Power Receptacle | 12. Rear Plate |
| 4. Helium Gas Fitting and Charge Valve | 13. 50/60 Hz Frequency Selector Switch |
| 5. Helium Supply Pressure Gauge | 14. 208/220 Voltage Range Selector Switch |
| 6. Helium Gas Return Connector | 15. Resettable Circuit Breakers |
| 7. Helium Gas Supply Connector | 16. Compressor ON/OFF Switch |
| 8. Rear Panel | 17. Front Panel |
| 9. Rear Grill | 18. Front Grill |

Figure 1-2: Component Locations

Table 1-1: Power Requirements (Steady-State Conditions)

Part Number	Cooling	Phase	Hz	Operating Voltage Range	Nominal Operating Current
8032549G001	Air	3	50	180-220	10A
	Air	3	60	198-250	10A
8032549G002	Air	1	50	180-220	10A
	Air	1	60	198-250	10A
8032550G001	Water	3	50	180-220	8.5A
	Water	3	60	198-250	8.5A
8032550G002	Water	1	50	180-220	8.5A
	Water	1	60	198-250	8.5A

Table 1-2: General Specifications

Specification	Description
Weight	140 lbs (63.5 kg) approximate
Weight (shipping)	145 lbs (70.5 kg) approximate
Power consumption	2.0 kw, nominal operating(water), 2.1 kw nominal operating (air)
Compressor input-power cable (customer-supplied)	Recommended type SO-4 conductor, 600V, neoprene jacket and 14-gauge wire. Install per Figure C-1, Electrical Schematic diagram, ensuring compliance with all national, state and local standards.
Helium pressure	Static: 245-255 psig (1688-1757 kPa) at 70 to 80°F (21 to 27°C) Supply: nominal operation: 270-290 psig (1860-2000 kPa) at operating temperature.
Ambient operating temperature range	50 to 100°F (10 to 38°C)

Table 1-2: General Specifications

Specification	Description
Interface	Cold head power receptacle: Mates with plug on cold head power cable. On-Board power receptacle: Mates with plug on cold-head power cable. Compressor input-power terminal block enclosure: Mates with input power cable, fabricated by customer or available from CTI-CRYOGENICS. Gas-supply connector: 1/2-inch self-sealing coupling Gas-return connector: 1/2-inch self-sealing coupling
Adsorber service schedule	Replace every 12 months.
Cooling water requirements (water cooled only)	100°F (38°C) maximum discharge temperature Refer to Figures 3-5 and 3-6 for parameters.

Section 2 - Inspection

Packaging of the System

A High-Vacuum Pump or Refrigerator System is packaged in separate cartons for each major component. An Installation, Operation, and Servicing Manual is included in the carton for the component packaged in that carton.

The Compressor

On receipt, remove the 8200 Compressor from its shipping carton and inspect the compressor for evidence of damage as described in this Section.

1. Unpack and remove the compressor from its shipping carton.
2. Check the carton contents. It should contain:
 - a. 8200 Compressor (air cooled or water cooled).
 - b. Compressor Manual P/N 8040353.
3. After unpacking, inspect the compressor for evidence of damage as follows:
 - a. Inspect the compressor overall exterior for damage.
 - b. Report damage to the shipper at once.
 - c. Retain shipping cartons for storage or return shipment.

When installing your system, CTI recommends that as you unpack a component, you perform an inspection and the necessary tasks for system installation for the component according to the manual included with the component. Final system installation and operation will be performed following procedures in the high-vacuum pump or refrigerator manual.

4. Check the helium pressure gauge. The gauge should indicate 250 psig (1725 kPa) minimum at 70°F. If additional gas pressure is required, follow the instructions in **Adding Helium Gas**.

Section 3 - Installation

Compressor Installation

Installation of your compressor requires no special tools other than those supplied in the Installation and Scheduled Maintenance Tool Kit.

Preparing the Compressor Input-Power Cable

To supply input power to the 8200 compressor requires the fabrication of a 600-volt power cable that has an SO-4 conductor, 600-volt rating neoprene jacket and 14-gauge or 2.3 mm² wire. Proceed as follows:

WARNING

Do not connect the compressor to the power source at this time. All of the preparation must be completed and all panels reinstalled before electrically connecting the compressor.



Unit must be wired by an authorized electrician in accordance with the national Electrical Code, ANSI/NFPA 70-1987, as well as the local codes. This shall include installation of a readily accessible disconnect device into the fixed wiring supplying power.

An insulated earthing conductor that is identical in size, insulation material and thickness to the earth and unearth branch circuit supply conductors, except that it is green with or without one or more yellow stripes is to be installed as part of the branch circuit which supplies the unit or system. The earthing conductor described is to be connected to the earth at the service equipment, or supplied by a separately derived system at the supply transformer or generator.

1. Prepare the input power cable by terminating each of the four conductors with a #10 ring terminal. Follow the terminal manufacturer's instructions to insure proper crimping.
2. Disassemble the electrical terminal enclosure cover, mounted on the compressor rear panel, as shown in Figure 3-1. Remove the two screws securing the cover and lift it off.
3. If necessary, back off strain relief screws.

4. Thread input power cable end up through the strain relief into the enclosure.
5. Attach the power conductors onto the appropriate terminals of the terminal block.
 - a. For three-phase hookups, attach the three power leads to terminals X, Y and Z.
 - b. For single-phase hookups, attach the two power leads to terminals X and Y. **DO NOT USE TERMINAL Z.**
6. Tighten all terminals to 18-22 in.-lbs. torque.
7. Tighten down screws on strain relief.

CAUTION

Ensure that strain relief is tightened down on the outer insulation of the input power cable and that the cable does not slide.

8. Remount the terminal enclosure cover and secure with two screws.
9. Refer to **Final Preparation of Compressor** for correct phasing checkout procedure.

**WARNING**

Insure that the ground wire is returned to a suitable ground in a non-interrupting manner.

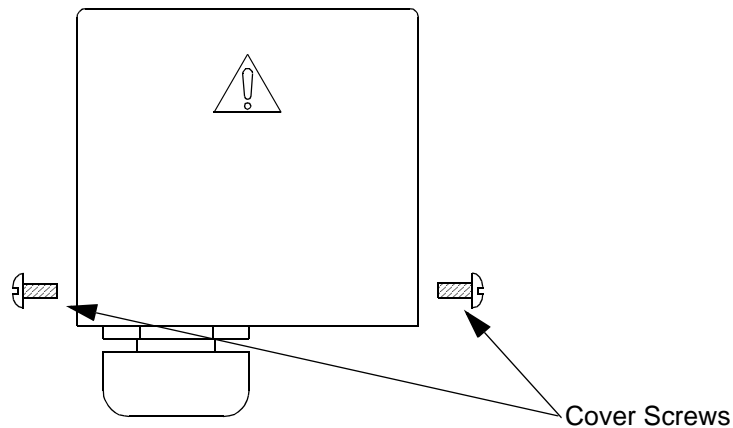


Figure 3-1: Electrical Terminal Enclosure with Cover in Place

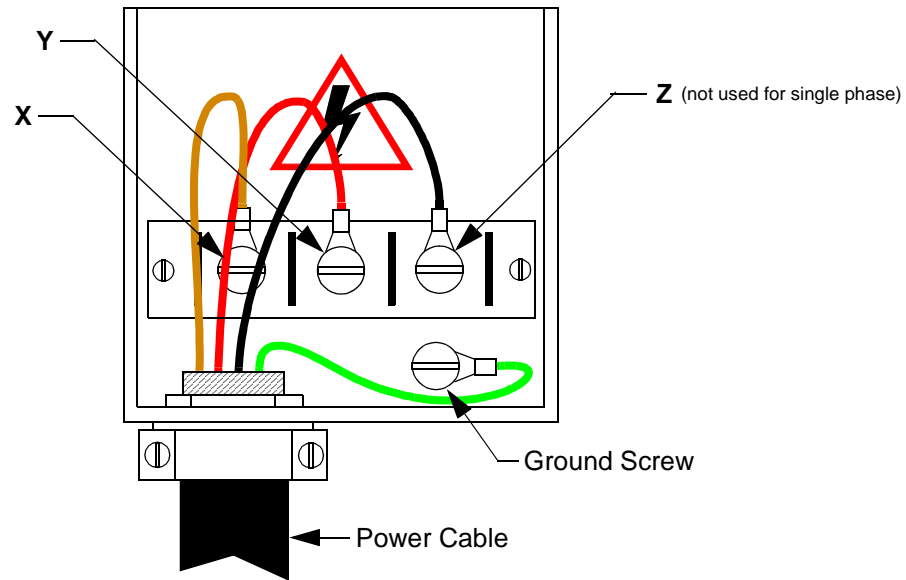


Figure 3-2: Assembly of Conductors to Terminal Block

Cooling Water Requirements (Water-Cooled Compressors Only)

If flexible water hose connections are used, install the barbed fittings supplied with the compressor on the input and output connections:

1. Apply a light coating of standard plumbing thread sealant on the barbed fitting threads.
2. Tighten fittings on 1/2-inch FPT input and 1/2-inch FPT output connections. **DO NOT OVERTIGHTEN.**
3. Connect flexible hoses to the fittings and secure with hose clamps.

If hard piping is desired, install the water lines directly onto the compressor 1/2-inch FPT input and output connections. **DO NOT OVERTIGHTEN.**

CAUTION

Check water connections for leaks.

Cooling Water: General Considerations

***NOTE:** Adjust your water flow to maintain an optimum discharge water temperature of 85°F with a minimum input pressure of 2 psig. For detailed water requirements, see below.*

1. Cooling water must meet flow and pressure requirements as indicated in the following subsections.
2. Cooling water having a pH value of 6.0 to 8.0 and a calcium-carbonate concentration of less than 75 ppm, the quality of typical municipal drinking water, is acceptable. If the cooling water has a pH value lower than 6.0 or a calcium- carbonate concentration higher than 75 ppm, water conditioning may be required.
3. To conserve water, the cooling water should be shut off when the compressor is not running.

CAUTION

If cooling water below 45°F (7°C) is allowed to run through the compressor while the compressor is not operating, the compressor oil will change viscosity and thicken, causing the compressor to overheat and shut off at startup. In this event, repeatedly restart the compressor and allow it to run until it has shut off several times. The oil temperature will rise and thereby allow continuous compressor operation.

4. Drain and purge water from the compressor before shipping it back to the factory or subjecting it to freezing conditions. Purge water from the compressor by blowing compressed air, regulated to 30 to 40 psig (200 to 275 kPa) into the compressor output connection and allowing water to exit from the water input connection.

Cooling Water: Flow and Pressure Requirements

CAUTION

If your water supply pressure falls below 2 psig due to back pressure, the compressor will overheat and shut down.

Use the two graphs in Figure 3-3, to determine the minimum acceptable cooling water supply pressure at different flow rates and temperatures.

Find the minimum pressure:

1. Determine the temperature variation of the cooling water.
Allow a $\pm 10^\circ\text{F}$ to the present water temperature if a variation cannot be ascertained. Plot the high and low temperatures on the vertical axis of the lower graph.

The example describes cooling water that varies between 40°F and 70°F .

2. Determine the optimum water flow rate by drawing a horizontal line from the upper temperature variation figure on the lower graph to the upper curve of the allowable operating range indicated by cross-hatching. Draw a line from this intersecting point straight down to the horizontal axis to find the optimal flow rate.

The example shows a solid arrow extending from 70°F and intersecting the allowable operating range. Dashed arrows pointing downward indicate a water flow rate of 0.5 gallons per minute.

3. Determine the cooling water supply pressure drop by drawing a line straight up from the flow rate in the lower graph to the upper graph. At the point at which this line intersects the upper graph, draw a line leftward to the vertical axis and find the water supply pressure drop.

The example shows dashed arrows extending from the lower to the upper graph. On the upper graph the dashed arrows intersect the graph curve at approximately 2.5 psig.

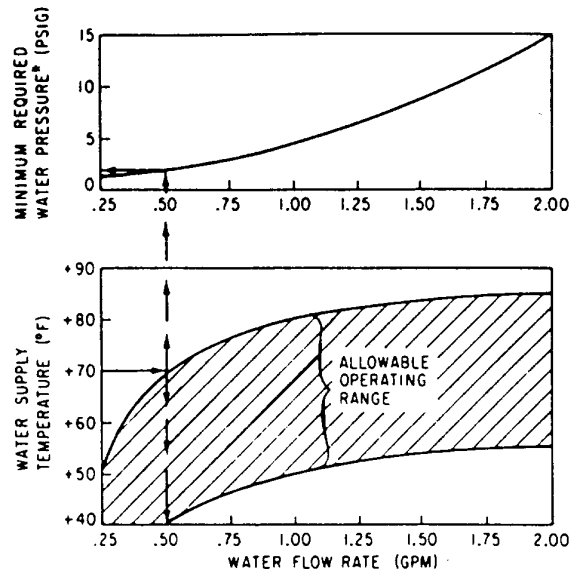


Figure 3-3: 8200 Compressor Cooling Water Flow and Pressure Requirements

Cooling Water: Temperature Rise

CAUTION

The temperature of the cooling water as it leaves the compressor should not exceed 100°F.

Use the graph in Figure 3-4 to determine the rise in cooling water temperature as it passes through the compressor. This information is provided for plant engineering personnel to determine cooling water requirements.

Find the temperature rise:

1. Draw a vertical line upward from the horizontal axis of the graph at the water flow rate determined from the previous section, until it hits the graph curve.

The example shows dashed arrows pointing upward to the graph curve from 0.50 gpm on the water flow rate axis.

2. At the point which the dashed arrows intersect the graph curve, draw a straight line to the left to obtain the increase in output water temperature.

The example shows a temperature increase of 20°F.

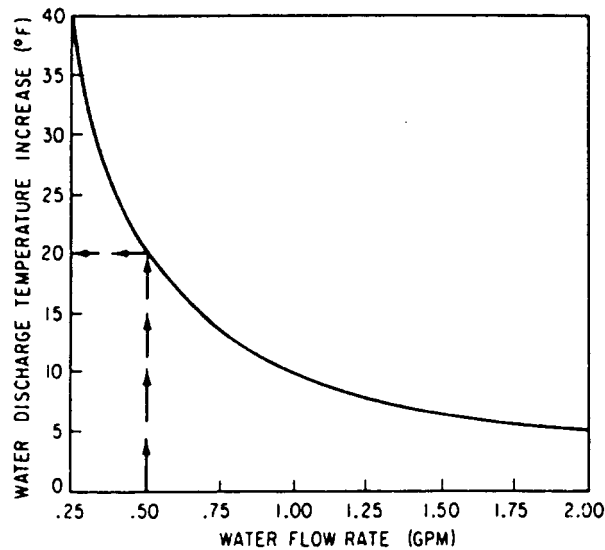


Figure 3-4: 8200 Compressor Water Discharge Temperature Increase (°F)

Final Preparation of Compressor

- Using a voltmeter, measure the phase-to-phase voltage from the power source. Compare this voltage to the following table and position the voltage range selector switch to the “208V” or “220V” position as required. Also, set the frequency selector switch to the 50 Hz or 60 Hz position, as appropriate. See Figure 1-2 for location of selector switches.

Table 3-1: Voltage Specifications

Operating Voltage Range		Voltage Adjustment Switch S1 Position
60 Hz	50 Hz	
198-212	180-212	208V
213-250	213-220	220V

- Ensure that water is turned on for the water-cooled compressor.
- Set the compressor ON/OFF switch (3) to OFF. Connect the input-power cable to the power source Refer to Table 1-1, for electrical power requirements.
- Turn the compressor switch to the ON position and allow the compressor to run for 15 minutes to stabilize the oil circuit. Make sure that the compressor fan operates freely in the air-cooled compressor.
- Switch off the compressor and disconnect the input-power cable.
- Install the compressor in its permanent location on a level surface. Air cooled units must have a minimum clearance of 12 inches at the front and back for adequate airflow.

Connecting the Compressor to the Cold Head

Make the connections between the cryopump and compressor. See Figure 3-5.

- Remove dust plugs and caps from the supply fittings and return lines, compressor, and cold head. Check all fittings.
- Connect the helium-gas return line from the gas-return connector on the rear of the compressor to the gas-return connector on the cold head.

3. Connect the helium-gas supply line from the gas-supply connector on the rear of the compressor to the gas-supply connector on the cold head.
4. Attach the supply and return line identification decals (CTI-supplied) to their respective connecting piping ends.
5. Verify proper helium supply static pressure by confirming that the helium pressure gauge reads 245-250 psig (1690-1725 kPa), in an ambient temperature range of 60 to 100°F (16 to 38°C).

**WARNING**

Do not operate the 8200 Compressor unless a Cryopump or Waterpump is connected to the system.

If the indicated pressure is higher than 250 psig (1725 kPa), reduce the pressure as follows:

- a. Remove the flare cap from the gas charge fitting located on the rear of the compressor.
- b. Open the gas charge valve very slowly. Allow a slight amount of helium gas to escape until the helium pressure gauge reads 250 psig (1725 kPa).
- c. Close the gas charge valve and reinstall the flare cap.

If the indicated pressure is lower than 245 psig (1690 kPa), add helium gas as described in **Adding Helium Gas**.

6. Make the following electrical connections.

**WARNING**

The compressor ON/OFF power switch on the front of the compressor must be in the OFF position before making any and all electrical connections.

- a. Connect the cold head power cable to the rear panel of the compressor and the other end to the electrical power connector on the high-vacuum pump cold head.
- b. Connect the compressor input power cable to the power source.
- c. Turn on compressor.
- d. Your system is now ready for operation.

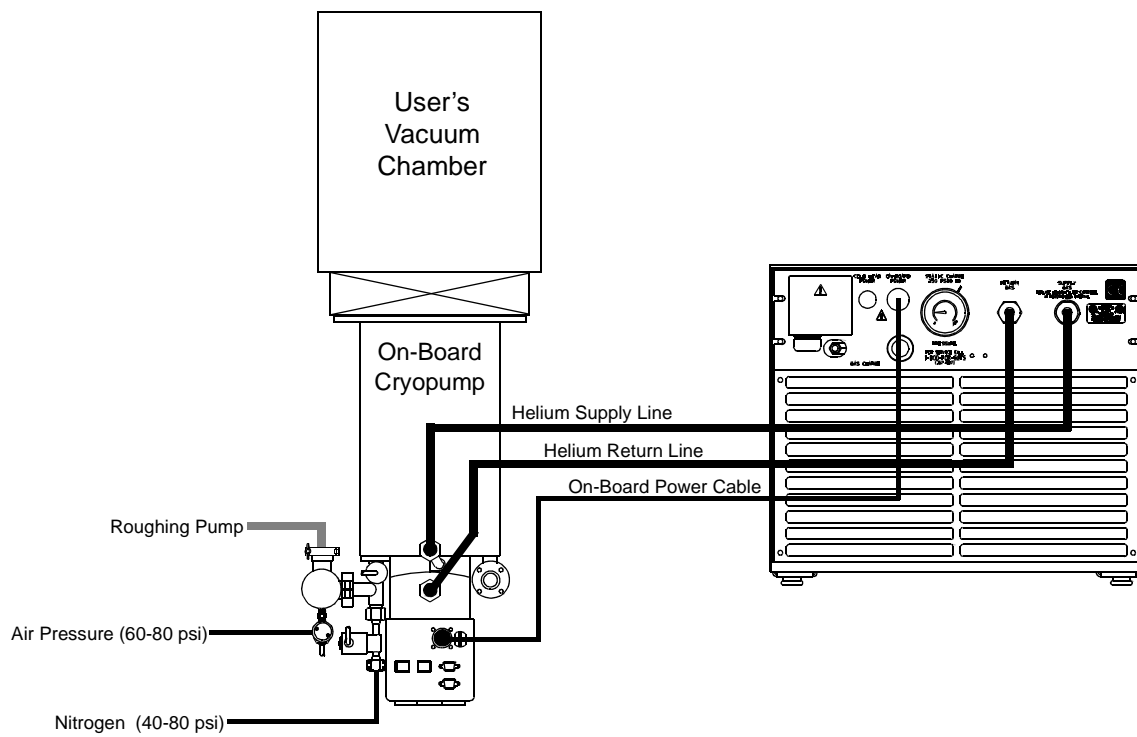


Figure 3-5: Typical 8200 Compressor Installation

Section 4 - Maintenance Procedures



WARNING

Always disconnect the compressor from all sources of electrical power before performing any maintenance procedures.

Scheduled Maintenance

The only scheduled maintenance required on the 8200 Compressor is replacement of the compressor adsorber (P/N 8080255K001) every 12 months.

Removing the Compressor Adsorber

1. Shut down the compressor.
2. Disconnect the compressor input power cable from its electrical power source.
3. Disconnect the flex lines from the gas-return and gas-supply connectors at the rear of the compressor.
4. Remove the screws holding the compressor rear grille, rear panel, front panel and cover (Figure 1-2). Front and rear panels remain in place.
5. Use the two wrenches (supplied) to avoid loosening the body of the coupling from its adapter.
6. Unscrew the two self-sealing coupling halves quickly to minimize gas leakage as shown in Figure 4-1.
7. Disconnect the adsorber-inlet self-sealing coupling as shown in Figure 4-1.
8. Remove the bolts, nuts, and washers that secure the adsorber to the base of the compressor. Save all nuts, bolts, and washers for installing the replacement adsorber.
9. Carefully lift the adsorber inward until the outlet self-sealing coupling clears the rear panel and remove the adsorber as shown in Figure 4-2.
10. Remove the adsorber from the compressor as shown in Figure 4-2.

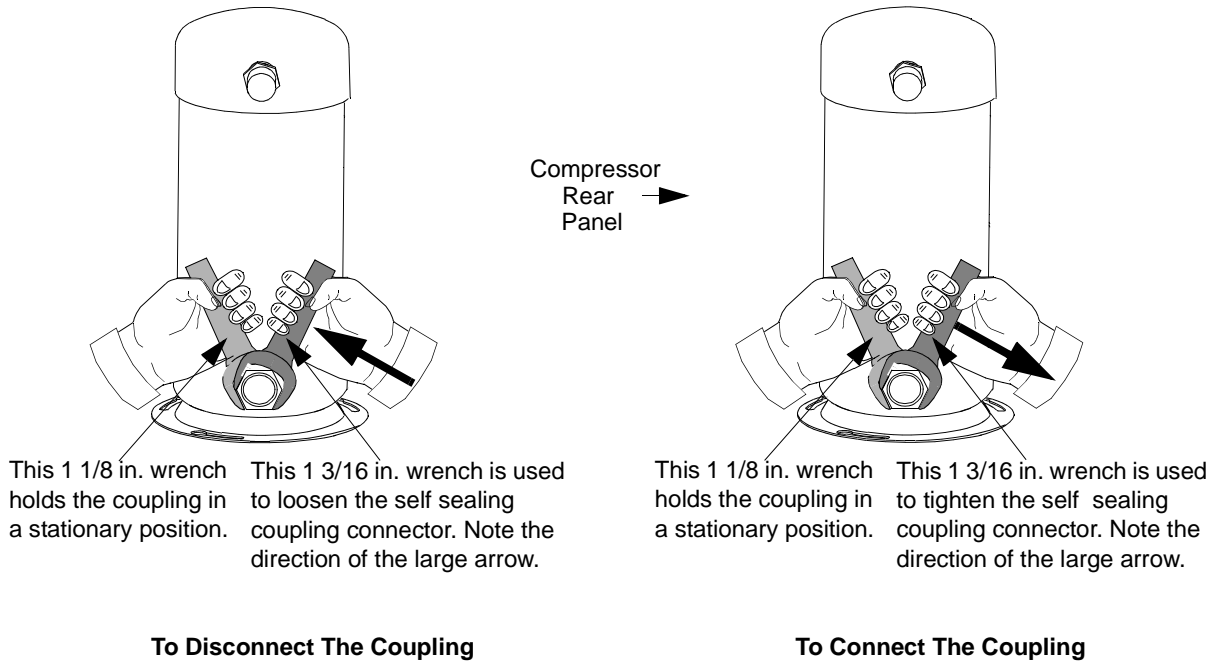



Figure 4-1: Disconnecting/Connecting the Adsorber Self-Sealing Coupling

WARNING



Depressurize the adsorber before disposing of it. Attach the depressurization fitting (included in the Installation and Scheduled Maintenance Tool Kit) to the coupling half at either end of the adsorber and tighten it slowly.

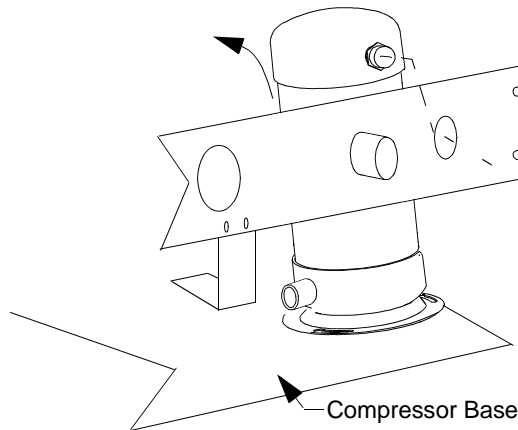


Figure 4-2: Removing the Adsorber from the Compressor

Installing the Compressor Adsorber

1. Install the replacement adsorber as follows:
 - a. Remove the dust caps from the self-sealing coupling halves at each end of the replacement adsorber.
 - b. Write installation date on the adsorber decal.
 - c. Install the replacement adsorber following the steps for compressor adsorber removal in reverse order. Use the hardware saved in step 5 above.
2. Connect the adsorber to the compressor internal piping. Refer to Figure 4-1.
 - a. Check the self-sealing connector flat rubber gasket to make sure that it is clean and properly positioned.

CAUTION

Make sure to hold fast on the left coupling nut while tightening the right coupling nut, as shown in Figure 4-1.

- b. Make the first turns by hand and then firmly seal the connection using the two wrenches until the fittings “bottom”. Refer to Figure 4-1, for proper coupling of the self-sealing connection
3. Replace the cover and the front and rear grilles and secure them
4. Ensure that the pressure gauge reads 245-250 psig (1690-1725 kPa). If additional gas pressure is required, follow the instructions in, **Adding Helium Gas**.
5. Reconnect the return and supply flex lines to the compressor.
6. Connect the compressor input power cable to the electrical power source.

Unscheduled Maintenance

Suggested Unscheduled Maintenance Equipment

It is advisable to keep on hand the unscheduled maintenance equipment and disposable supplies listed below.

1. Helium, 99.999% pure.
2. Pressure regulator (0-3000/0-400 psig).
3. Maintenance manifold, P/N 8080250K003*.

4. Helium charging line terminating in a 1/4-inch female flare fitting, P/N 7021002P001.
5. Installation and Scheduled Maintenance Tool Kit, P/N 8032040G004.

*Available from stock; consult the factory or your sales representative.

Adding Helium Gas

Use only 99.999% pure helium gas.

CAUTION

If the compressor helium pressure gauge reads 0, decontamination is required. Refer to decontamination procedures under, **Helium Circuit Decontamination**, or contact the Product Service Department.

1. A User-supplied helium charging line terminating in a 1/4-inch female flare fitting, and a two-stage pressure regulator rated at 0-3000/0-400 psig is required for this operation.
2. If you need to add helium more than once every several months, check for leaks caused by improperly connected self-sealing connections or any mechanical joint within the compressor.

There are two conditions that require the addition of helium gas:

1. Compressor not operating; helium pressure gauge reads 245 psig or below.
2. Compressor operating; helium pressure reads 270 psig, or below.

To add helium gas:

1. Attach a pressure regulator (0-3000/0-400 psig) and charging line to a helium gas (99.999% pure) bottle. **DO NOT OPEN THE BOTTLE AT THIS TIME.** Purge the regulator and charging lines as instructed in steps a through e below. Do *not* use helium gas that is *less than 99.999% pure*.
 - a. Open the regulator a small amount by turning the adjusting knob clockwise until it contacts the diaphragm, then turn approximately 1/8 to 1/4 turn more, so that the regulator is barely open.
 - b. Slowly open the bottle valve, and purge the regulator for 10 to 15 seconds. Turn the regulator knob counterclockwise until the helium stops flowing.

- c. Connect the charge line to the helium pressure regulator.
- d. Remove the flare cap of the gas charge fitting on the rear of the compressor. Loosely connect the charge line to the charge fitting.
- e. Set the helium pressure regulator to 10 to 25 psig (70-125 kPa). Allow helium gas to flow through the charging line and around the loosened flare fitting for 30 seconds to purge the charging line of air. Then tighten the flare nut at the end of the charge line.

(This procedure is required to ensure that both the regulator and the charging line will be purged of air and that the air trapped in the regulator will not diffuse back into the helium bottle. For best results, CTI suggests a dedicated helium bottle, regulator, and line, which are never separated, for adding helium.)

2. Set the helium pressure regulator to 300 psig (2070 kPa). Depending on the compressor operating state, add helium gas:
 - a. If the compressor is running (approximately 2 hours operating time) under normal operating conditions, slowly open the helium charge valve on the rear of the compressor. When the helium pressure gauge rises to 270 - 290 psig (1860 - 2000 kPa) tightly close the charge valve.
 - b. If the compressor is not running, slowly open the helium charge valve. When the helium pressure gauge rises to 245 - 255 psig (1688 - 1757 kPa), tightly close the charge valve.

CAUTION

Add helium gas slowly to prevent relief valve blow-off.

3. Ensure that the helium charge valve on the compressor is tightly closed. Shut off the helium pressure regulator on the helium bottle and remove the charging line from the male flare fitting. Shut off the helium gas bottle valve. Reinstall the flare cap.

Helium Circuit Decontamination

Refer to **Section 4 - Maintenance** of the appropriate On-Board Cryopump Installation Operation, and Maintenance manual for information on helium circuit decontamination.

Appendix A - Customer Support Information

Customer Support Center Locations

To locate a Customer Support Center near you, please visit our website www.helixtechnology.com on the world wide web and select *CONTACT* on the home page.

Guaranteed Up-Time Support (GUTS)

For 24 hour, 7 day per week Guaranteed Up-Time Support (GUTS) dial:

800-367-4887 - Inside the United States of America

508-337-5599 - Outside the United States of America

Product Information

Please have the following information available when calling so that we may assist you:

- Product Part Number
- Product Serial Number
- Product Application
- Specific Problem Area
- Hours of Operation
- Equipment Type
- Vacuum System Brand/Model/Date of Manufacture

E-mail

For your convenience, you may also e-mail us at:

techsupport@helixtechnology.com

Appendix B - Troubleshooting Procedures



WARNING

Disconnect the compressor before performing any troubleshooting procedures.

The compressor pump is hot after operating. Wait for the pump to cool down before working on the inside of the compressor

Table B-1: Compressor Troubleshooting Procedures

Problem	Possible Cause	Corrective Action
1) System power ON/OFF switch (CB1) and compressor switch (S1) remains in the ON position when switched on but the compressor will not run. Refer to Figure C-1 for identification of all electrical components	1) The thermal protective switch (TS1) is closed, activating the relay-trip coil in the ON/OFF switch (SW1). 2) Incorrect phasing at input power. 3) Excessive current drain has activated the series trip in the compressor ON/OFF switch.	1) Test switch (TS1) on air-cooled compressor; test (TS1) and (TS2) on water-cooled compressor. If continuity is found in any switch, contact the Product Service Department. 2) Correct phase sequence at input power cable. 3) Measure and record the current and contact the Product Service Department.
2) System power ON/OFF switch (CB1) remains in the ON position, but the compressor will not run.	1) No power coming from the power source. 2) Incorrect or disconnected wiring within the compressor	1) Check service fuses, circuit breakers, and wiring associated with power source, and repair as needed. 2) Check the compressor against its electrical schematic, Figure C-1.

Table B-1: Compressor Troubleshooting Procedures

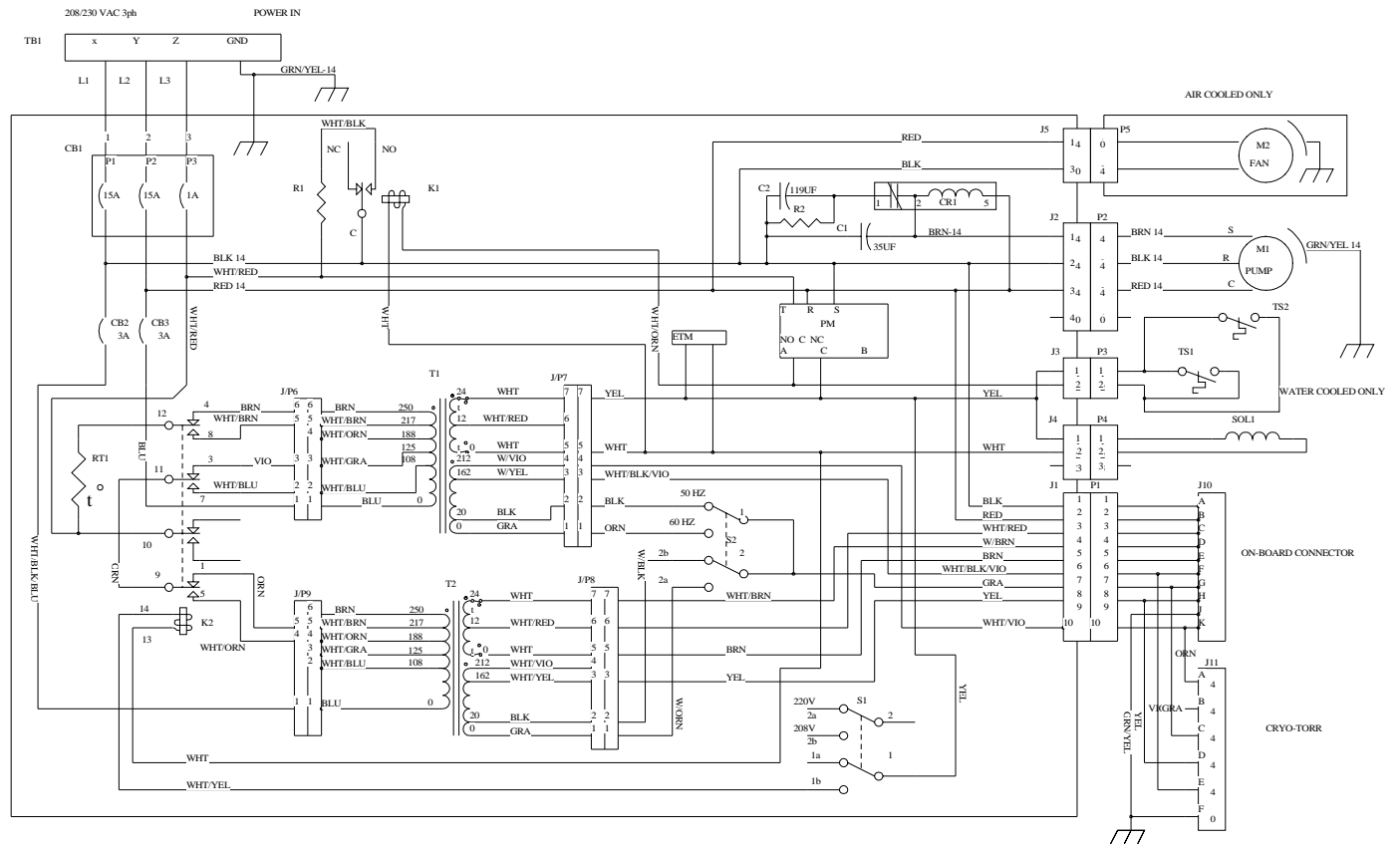
Problem	Possible Cause	Corrective Action
<p>3) Compressor stops after several minutes of operation and remains off.</p>	<p>1) High temperature of the compressor is caused by insufficient cooling water, resulting in the opening of thermal protective switch (water-cooled compressor only).</p> <p>2) After turn-off, very cold cooling water was left running through the compressor. The resulting low oil temperature has caused a restriction of oil flow through the metering orifice during startup.</p> <p>3) Very cold cooling water is circulating through the compressor. The resulting low oil temperature causes a restriction of oil flow through the metering orifice during startup.</p> <p>4) Ambient temperature is unusually high resulting in the opening of the thermal protective switch (air-cooled compressor only).</p> <p>5) Insufficient helium supply pressure is indicated by the supply pressure gauge.</p> <p>6) High temperature of the compressed helium in the discharge line from the compressor pump has tripped the thermal protective switch.</p> <p>7) Mechanical seizure.</p>	<p>1) Confirm that cooling water to the compressor is flowing. Confirm that proper cooling water flow rate and pressure exist by referring to Figure 3-3.</p> <p>2) Turn on the compressor and allow it to run until it has stopped several times, allowing the oil temperature to rise and the compressor to operate continuously for one hour minimum.</p> <p>3) Recheck for proper cooling water temperature per, Cooling Water Requirements (Water-Cooled Compressors Only).</p> <p>4) Provide a free flow of air to the compressor. Confirm a 12-inch (30 cm) clearance at the front and back of the compressor. Confirm unobstructed and clean heat exchanger surfaces.</p> <p>5) Add helium per, Unscheduled Maintenance.</p> <p>6) Confirm that oil is visible in the compressor sight glass (air-compressor only).</p> <p>7) Contact the Product Service Department.</p>

Table B-1: Compressor Troubleshooting Procedures

Problem	Possible Cause	Corrective Action
4) Compressor pump stops after several minutes of operating and then switches ON and OFF at short intervals.	1) Intermittent power source voltage.	1) Confirm power source voltage between 198-250V, 60 Hz or 180-220V, 50 Hz and restore if necessary.
5) Compressor operates but cold head motor does not run.	1) Loose or defective cable.	1) Check cold head cable.

Appendix C - Electrical Schematics for 8200 Compressor

- C1 RUN CAPACITOR, 33UF
- C2 START CAPACITOR, 119UF
- CB1 MAIN CIRCUIT BREAKER
- CB2 CIRCUIT BREAKER, 3A
- CB3 CIRCUIT BREAKER, 3A
- CR1 MOTOR START RELAY
- ETM METER ELAPSED TIME
- J1 COLDHEAD CONNECTOR
- J2 PUMP CONNECTOR
- J3 THERMOSTAT CONNECTOR
- J4 SOLENOID CONNECTOR
- J5 FAN CONNECTOR
- J/P6 TRANSFORMER CONNECTOR
- J/P7 TRANSFORMER CONNECTOR
- J/P8 TRANSFORMER CONNECTOR
- J/P9 TRANSFORMER CONNECTOR
- K1 OVERTEMPERATURE TRIP RELAY
- K2 VOLTAGE SELECTOR RELAY
- M1 PUMP MOTOR
- M2 FAN MOTOR, AIR COOLED ONLY
- PM PHASE MONITOR
- J10 ON-BOARD CONNECTOR
- J11 CRYO-TORR CONNECTOR
- R1 OVERTEMPERATURE RESISTOR
- R2 BLEED RESISTOR
- RT1 CURRENT LIMITER
- S1 VOLTAGE SELECTOR SWITCH
- S2 FREQUENCY SELECTOR SWITCH
- SOL.1 SOLENOID
- T1 TRANSFORMER
- T2 TRANSFORMER
- TB1 TERMINAL BLOCK, INCOMING VOLTAGE
- TS1 THERMOSTAT
- TS2 THERMOSTAT, FOR WATER COOLED
USE TS1 AND TS2

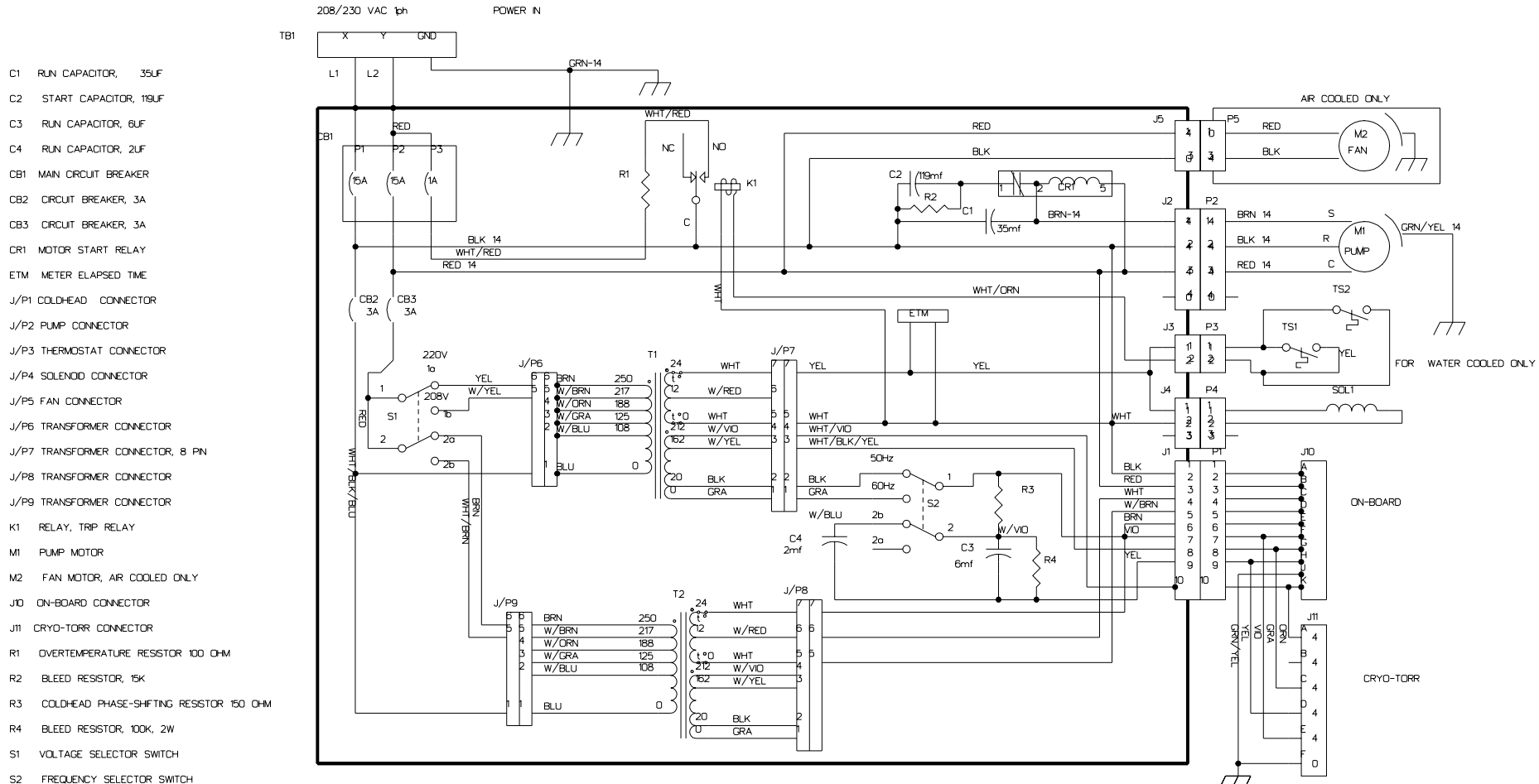


NOTES:

1. VOLTAGE SELECTION:

FREQUENCY	LINE VOLTS	S1	S2	CH VOLTS	CONTROL VOLTS
50 Hz	180 - 212	208V	50 Hz	118 - 139	19.9 - 23.5
	213 - 220	220V	50 Hz	121 - 125	20.5 - 21.2
60 Hz	198 - 212	208V	60 Hz	148 - 159	21.9 - 23.5
	213 - 250	220V	60 Hz	138 - 162	20.5 - 24.0

Figure C-1: 8200 Compressor Electrical Schematic P/N 8032563P001 Rev. 100



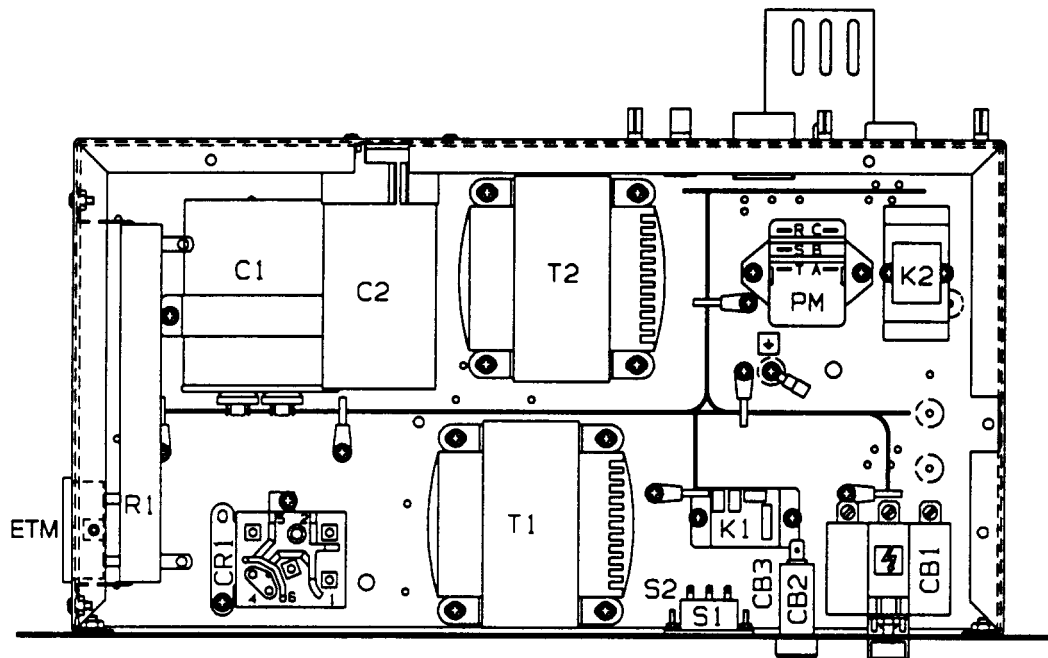
- C1 RUN CAPACITOR, 35UF
- C2 START CAPACITOR, 119UF
- C3 RUN CAPACITOR, 6UF
- C4 RUN CAPACITOR, 2UF
- CB1 MAIN CIRCUIT BREAKER
- CB2 CIRCUIT BREAKER, 3A
- CB3 CIRCUIT BREAKER, 3A
- CR1 MOTOR START RELAY
- ETM METER ELAPSED TIME
- J/P1 COLDHEAD CONNECTOR
- J/P2 PUMP CONNECTOR
- J/P3 THERMOSTAT CONNECTOR
- J/P4 SOLENOID CONNECTOR
- J/P5 FAN CONNECTOR
- J/P6 TRANSFORMER CONNECTOR
- J/P7 TRANSFORMER CONNECTOR, 8 PIN
- J/P8 TRANSFORMER CONNECTOR
- J/P9 TRANSFORMER CONNECTOR
- K1 RELAY, TRIP RELAY
- M1 PUMP MOTOR
- M2 FAN MOTOR, AIR COOLED ONLY
- J10 ON-BOARD CONNECTOR
- J11 CRYO-TORR CONNECTOR
- R1 OVERTEMPERATURE RESISTOR 100 OHM
- R2 BLEED RESISTOR, 15K
- R3 COLDHEAD PHASE-SHIFTING RESISTOR 150 OHM
- R4 BLEED RESISTOR, 100K, 2W
- S1 VOLTAGE SELECTOR SWITCH
- S2 FREQUENCY SELECTOR SWITCH
- SOL1 SOLENOID
- T1 TRANSFORMER
- T2 TRANSFORMER
- TB1 TERMINAL BLOCK, INCOMING VOLTAGE
- TS1 THERMOSTAT
- TS2 THERMOSTAT, FOR WATER COOLED

NOTES
1 VOLTAGE SELECTION

FREQUENCY	LINE VOLTS	S1	S2	CH VOLTS	CONTROL VOLTS
50 Hz	180 - 212	208V	50 Hz	118 - 139	199 - 235
	213 - 220	220V	50 Hz	121 - 125	205 - 212
60 Hz	198 - 212	208V	60 Hz	148 - 159	219 - 235
	213 - 250	220V	60 Hz	138 - 162	205 - 240

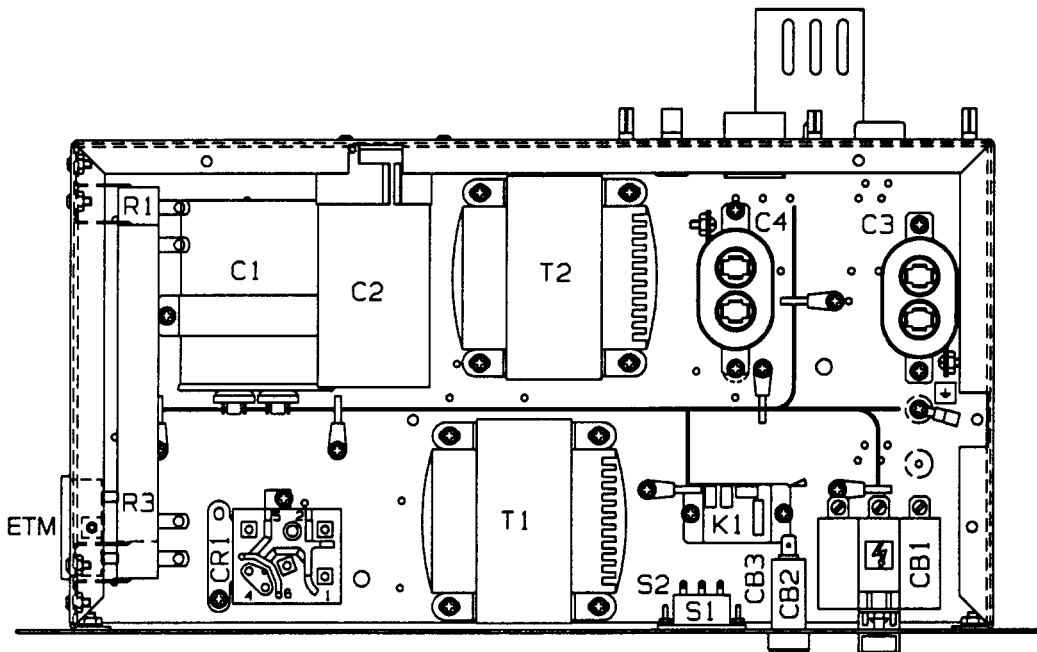
Figure C-2: 8200 Compressor Electrical Schematic P/N 8032564P001 Rev. D

Appendix D - Components in the Electrical Control Module of the 8200 Compressor



- | | | | |
|---------------------------------|-----|--------------------------------|-----|
| 1. Overtemperature Resistor | R1 | 9. Circuit Breaker, 3A | CB3 |
| 2. Run Capacitor, 35 μ f | C1 | 10. Voltage Selector Switch | S1 |
| 3. Start Capacitor, 119 μ f | C2 | 11. Frequency Selector Switch | S2 |
| 4. Transformer | T2 | 12. Overtemperature Trip Relay | K1 |
| 5. Phase Monitor | PM | 13. Transformer | T1 |
| 6. Voltage Selector Relay | K2 | 14. Motor Start Relay | CR1 |
| 7. Main Circuit Breaker | CB1 | 15. Meter, Elapsed Time | ETM |
| 8. Circuit Breaker, 3A | CB2 | | |

**Figure D-1: Components in the Electrical Control Chassis of the 8200 Compressor
Three-Phase Scott-T Configuration**



- | | | | |
|-------------------------------------|-----|-------------------------------|-----|
| 1. Coldhead Phase-Shifting Resistor | R3 | 9. Circuit Breaker, 3A | CB2 |
| 2. Overtemperature Resistor | R1 | 10. Circuit Breaker, 3A | CB3 |
| 3. Run Capacitor, 35 μ f | C1 | 11. Voltage Selector Switch | S1 |
| 4. Start Capacitor, 119 μ f | C2 | 12. Frequency Selector Switch | S2 |
| 5. Transformer | T2 | 13. Relay, Trip Relay | K1 |
| 6. Run Capacitor, 2 μ f | C4 | 14. Transformer | T1 |
| 7. Run Capacitor, 6 μ f | C3 | 15. Motor Start Relay | CR1 |
| 8. Main Circuit Breaker | CB1 | 16. Meter, Elapsed Time | ETM |

Figure D-2: Components in the Electrical Control Chassis of the 8200 Compressor - Single-Phase RC Configuration

Appendix E - Flow Diagrams for 8200 Air-Cooled and Water-Cooled Compressors

Compressor Gas and Oil Flows

Refer for Figure E-1 or Figure E-2 while reviewing this subsection.

Helium returning from the cold head enters the compressor, and a small quantity of oil is injected into the gas stream, thereby overcoming helium low specific head and inability to carry heat produced during compression. Helium is then compressed and passed through a heat exchanger for removal of compression-caused heat. The helium flows through a bulk oil separator, oil-mist separator, and helium filter cartridge, where oil and contaminants are removed.

A differential pressure relief valve in the compressor limits the operating pressure differential between the helium supply and return lines, thereby allowing compressor operating without cold head operation. When cold head operation reaches a steady-state condition, further pressure regulation is unnecessary.

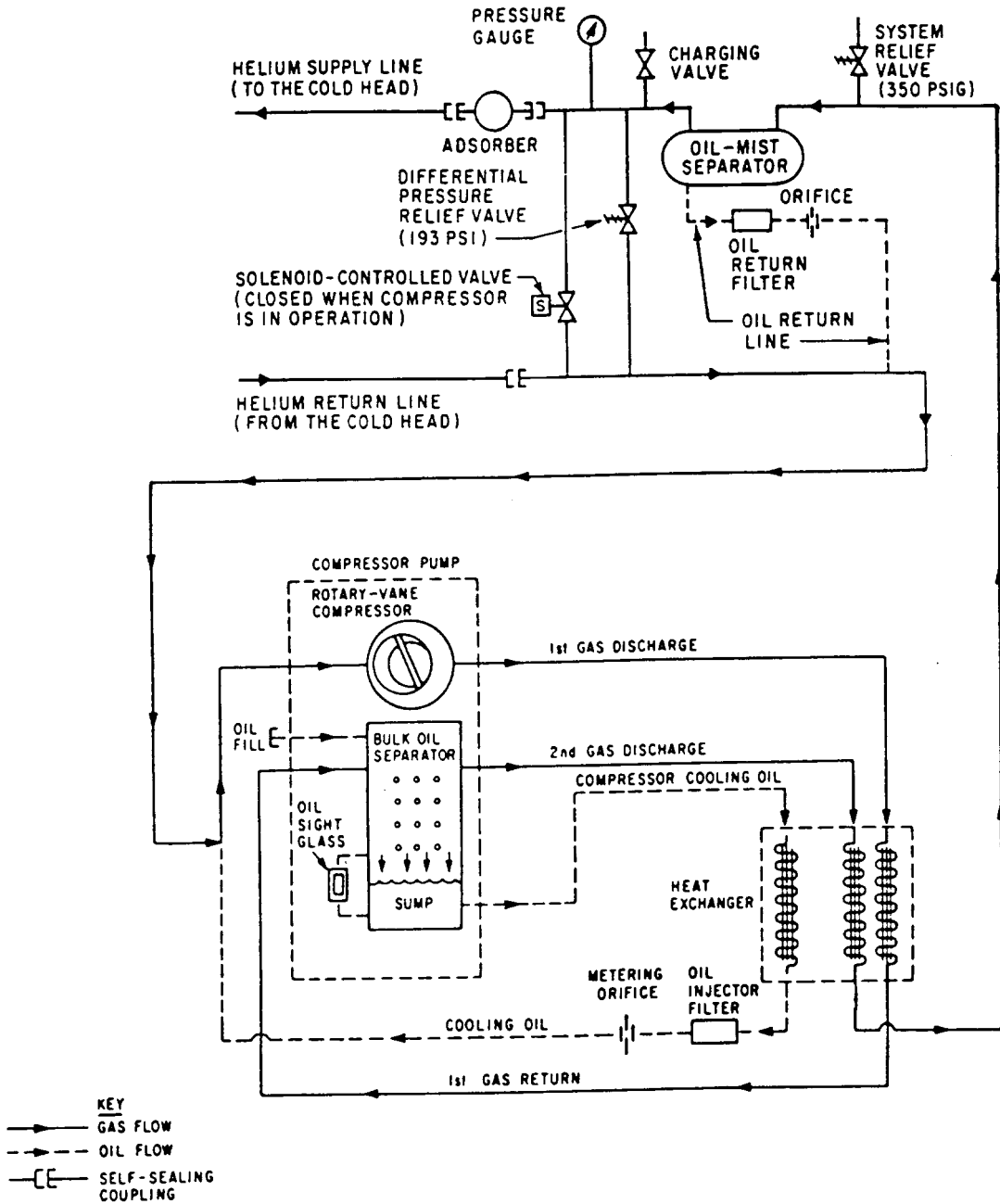


Figure E-1: Flow Diagram of the 8200 (Air-Cooled) Compressor

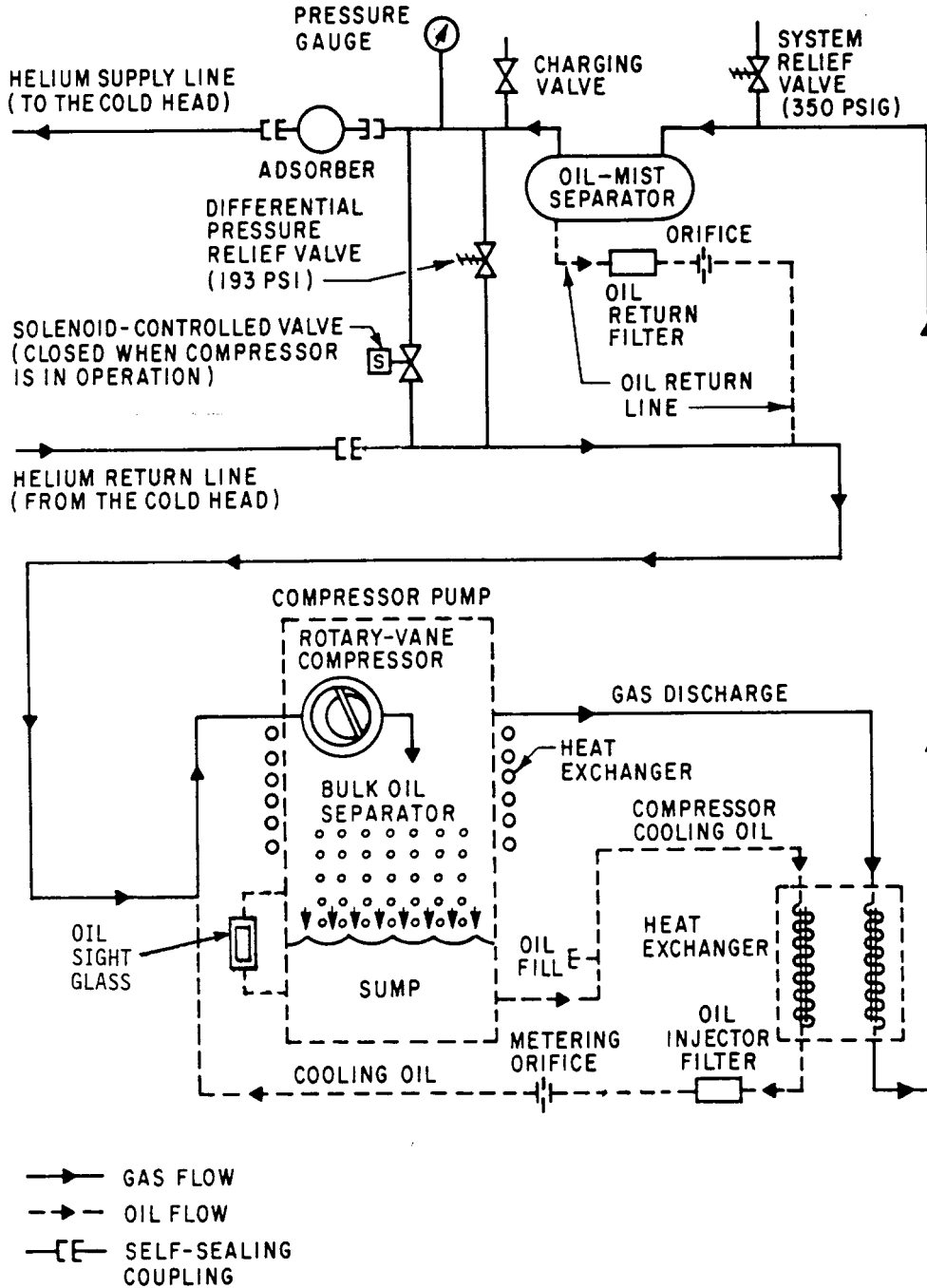


Figure E-2: Flow Diagram of the 8200 (Water-Cooled) Compressor