



Document No. : STSE-PS-TC1103-R04

Specifications for Power Supply

1.Specification

Model	TC1103
Input voltage	AC180 - 253 V
phase	Single
frequency	50/60 Hz
power	max. 810 VA
Rated output frequency	560 Hz
Permissible ambient temperature	-5 - 40 °C
humidity	5 - 85 %
Weight	8.2 kg
Protection circuitry	Output over-current (when motor driver output current exceeds specified level) Acceleration overtime (when pump rotor fails to reach normal operation within a specified time) Re-acceleration overtime (when normally operated pump rotor gets in acceleration again but fails to reach normal operation within a specified time) Motor overheat (when molecular pump motor overheats) Protection signal open (when protection signal opens) P/S overheat (when power supply internally overheats) Light load (when output current is extremely low) Input voltage loss or drop-off (when input voltage is interrupted or drops off more than 2 seconds) Over output frequency (when rotor speed exceeds its rated speed by 5%) P/S fan stop (when rotation speed of power supply fan goes down) Fan disconnected (fan connector is disconnected)
Communication interface	Serial port (RS232C)
Outside view drawing attached	X3-00269<2>
I/O communications attached	X3-00270

2.Pump model applicable to this power supply

Pump model	TG800F/1100F , TG1400F
------------	------------------------

3.Accessories

Remote connector	1 ea.
Input connector	1 ea.
Serial communication connector	1 ea
Ferrite core	1 ea
Instruction manual of power supply	1 copy
Instruction manual of serial communication	1 copy



Document No. : STSE-PS-TC1103-R04

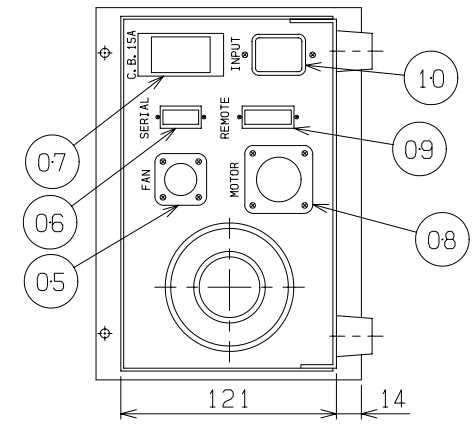
4.Shop inspection

Prior to release for shipment, each power supply is tested to ensure it passes the following inspection criteria.

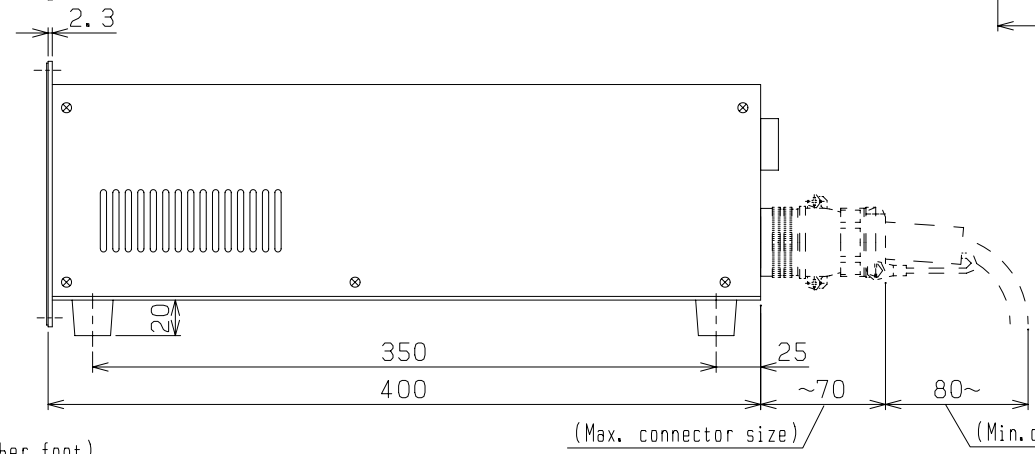
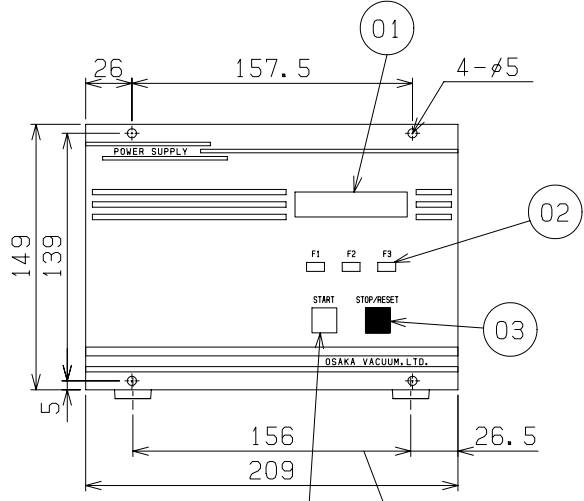
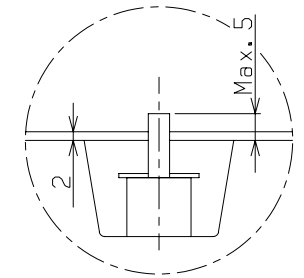
Inspection item	Criteria
Exterior check	No abnormality detected by visual check
Operation Performance test for start/stop Performance test for input/output signals Performance test for protective functions	No abnormality detected

◇ 69200 - ε X 00269

NO.	DESCRIPTION	MATERIAL	Q'TY	DWG. NO.	REMARKS
-----	-------------	----------	------	----------	---------

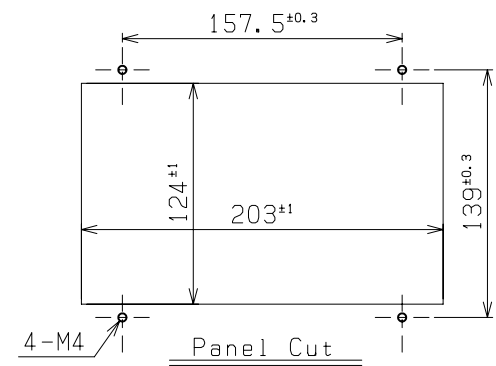


Detail of rubber legs



(Pitch of the rubber foot)

01	Display (LCD)
02	Function buttons (F1~F3)
03	Stop/reset button
04	Start button
05	Fan connector
06	Serial communication connector
07	Circuit protector
08	Motor connector
09	Remote connector
10	Input connector



REV. No.	DATE	DESCRIPTION	DRAWN	CHECKED	APP'D
◇	2005/11/07	ゴム脚用ネジ穴の寸法訂正(160→)、リアパネルからの寸法訂正(25)	猪原	川崎	中安
◇	2003/09/19	ゴム脚用ネジ穴寸法及び詳細記載、ケーブル部詳細寸法追加 ゴム脚取付法160mmの「Pitch of the～」コメントを追加 パネルカットの取付寸法水平ピッチ訂正(157±0.3→)	猪原	大和	中安
◇	2003/05/21	TC2403追加	大林	中安	中安

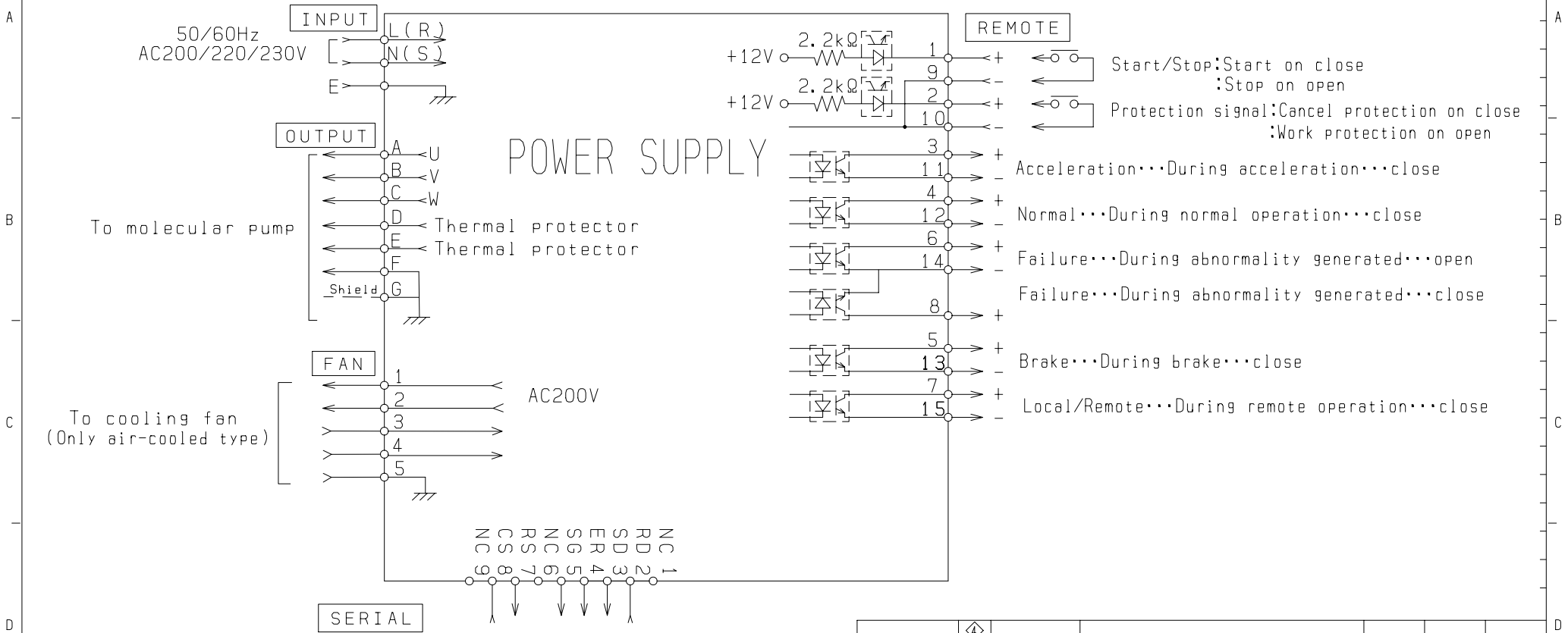
Applicable model		
TC443S, TC553, TC1003, TC1103, TC1503H, TC1813, TC3213, TC2403		
APPROVED	中安	TITLE
CHECKED	中安	Power Supply
DESIGNED	猪原	Outside view drawing
DRAWN	猪原	
NO. OF SET		
SCALE	---	
JOB NO.	DATE	2003.01.23

OSAKA VACUUM, LTD.	
DWG. NO.	X3 - 00269 ◇




◇ 0L200 - EX 'ON' '9MD

NO.	DESCRIPTION	MATERIAL	Q'TY	DWG. NO.	REMARKS
-----	-------------	----------	------	----------	---------



- Start/Stop: Start on close
: Stop on open
- Protection signal: Cancel protection on close
: Work protection on open
- Acceleration... During acceleration... close
- Normal... During normal operation... close
- Failure... During abnormality generated... open
- Failure... During abnormality generated... close
- Brake... During brake... close
- Local/Remote... During remote operation... close

1. [REMOTE] Each of signals "Acceleration~Local/Remote" have polarity, because it is output of transistor. (Max contact capacity: DC24V, 0.1A)

◇					
◇					
◇					
◇					
◇	2003/05/21	TC2403追加	大林	中安	中安
REV. No.	DATE	DESCRIPTION	DRAWN	CHECKED	APP'D
Applicable model					
TC443S, TC553, TC1003, TC1103, TC1503H, TC1813, TC3213, TC2403					
APPROVED	中安	TITLE			
CHECKED	中安	Power Supply			
DESIGNED	猪原	I/O Communications			
DRAWN	猪原				
NO. OF SET					
SCALE					
JOB NO.	DATE	2003.01.23	 OSAKA VACUUM, LTD. DWG. NO. X3 - 00270 ◇		